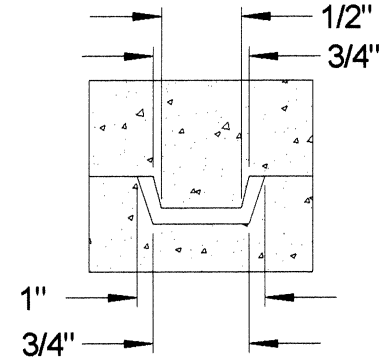
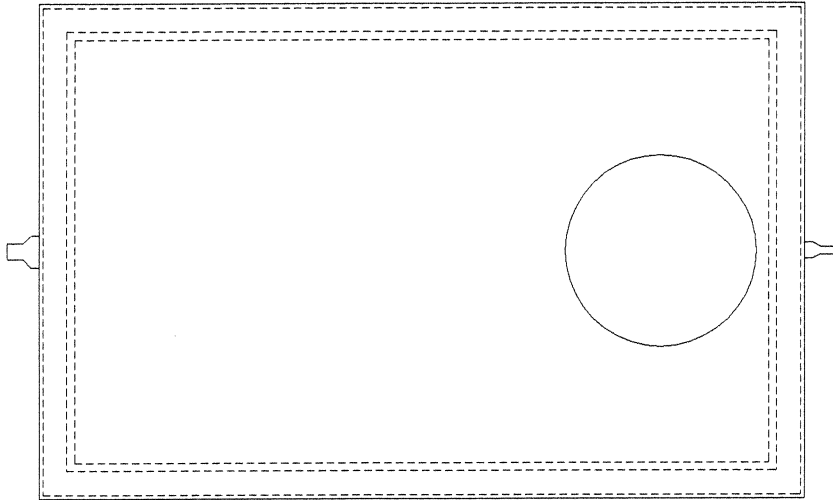


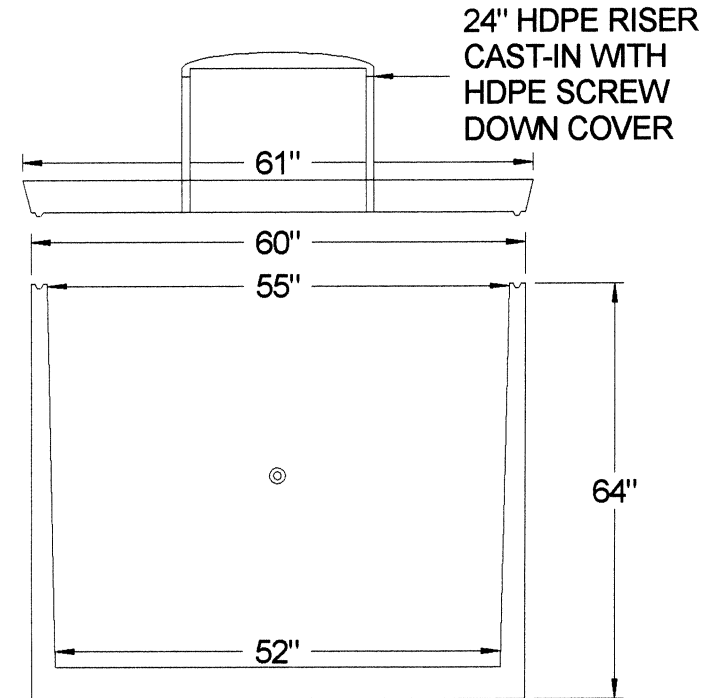
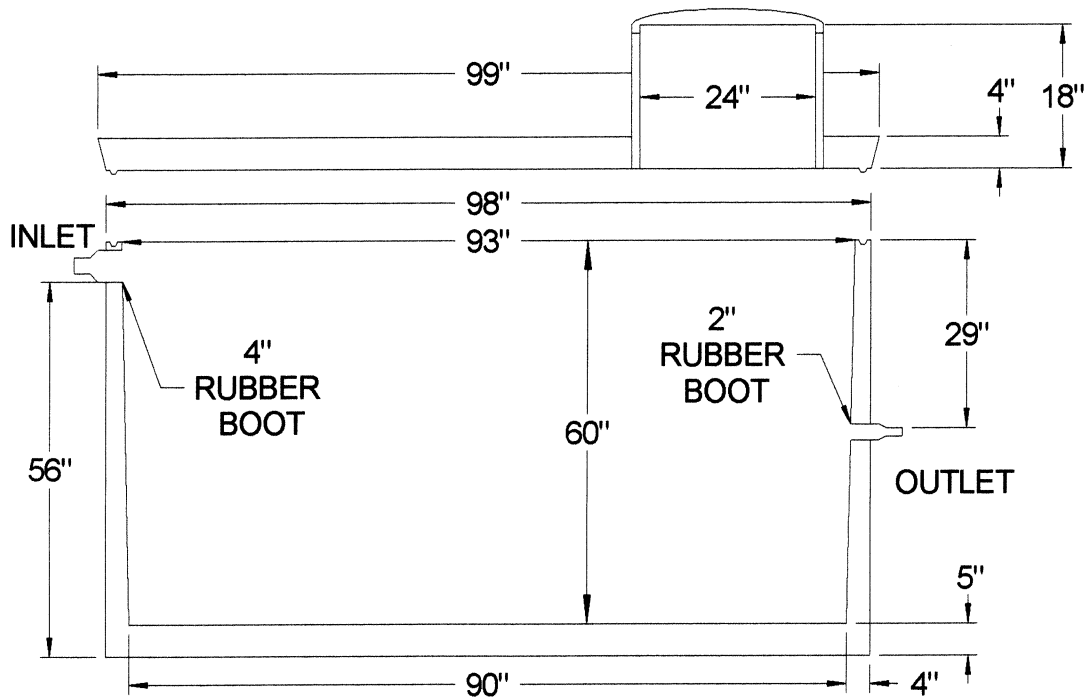
**1000 GALLON PUMPING CHAMBER**

NOT TO SCALE



**JOINT DETAIL**

NOT TO SCALE



$(91.5 \times 53.5) + 144 \times 7.48 \times .083 = 21.11 \text{ GAL/INCH}$

**MILAN VAULT, INC.**

10475 N. ANN ARBOR ROAD

MILAN, MICHIGAN 48160

(734) 439-1538

(734) 439-8311 (FAX)

HTTP: // WWW.MILANVAULT.COM