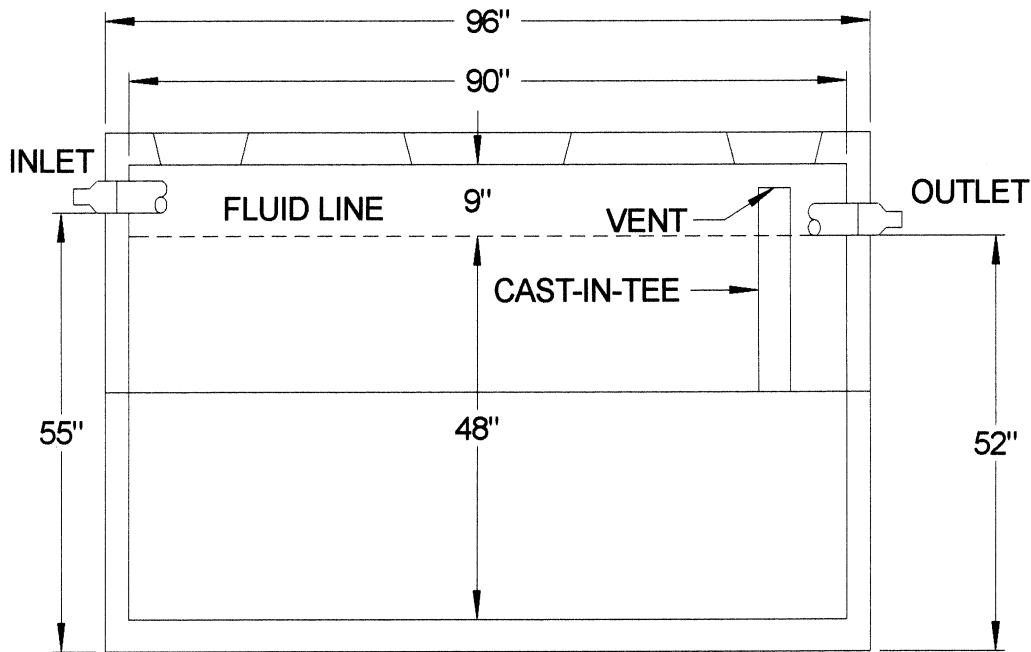
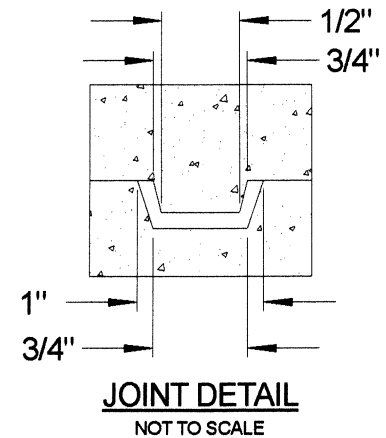
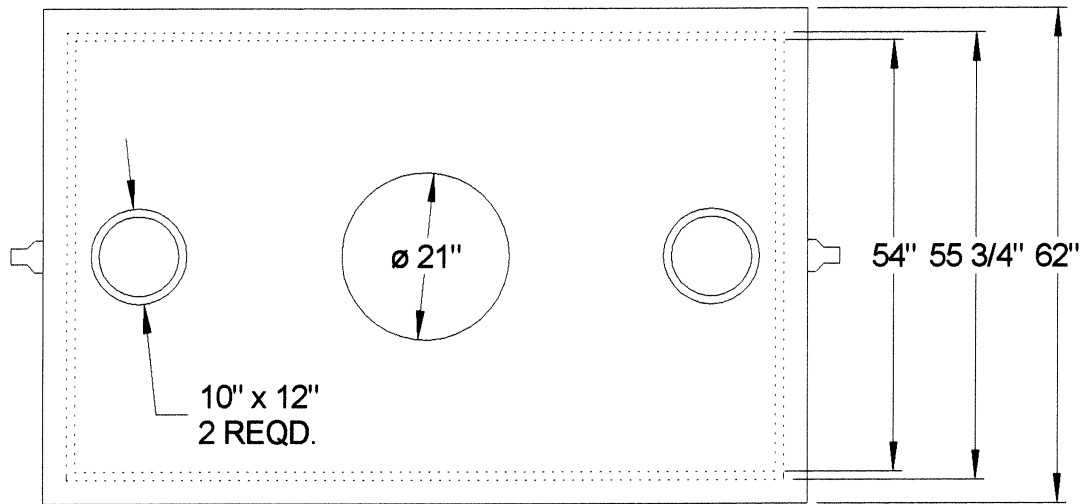
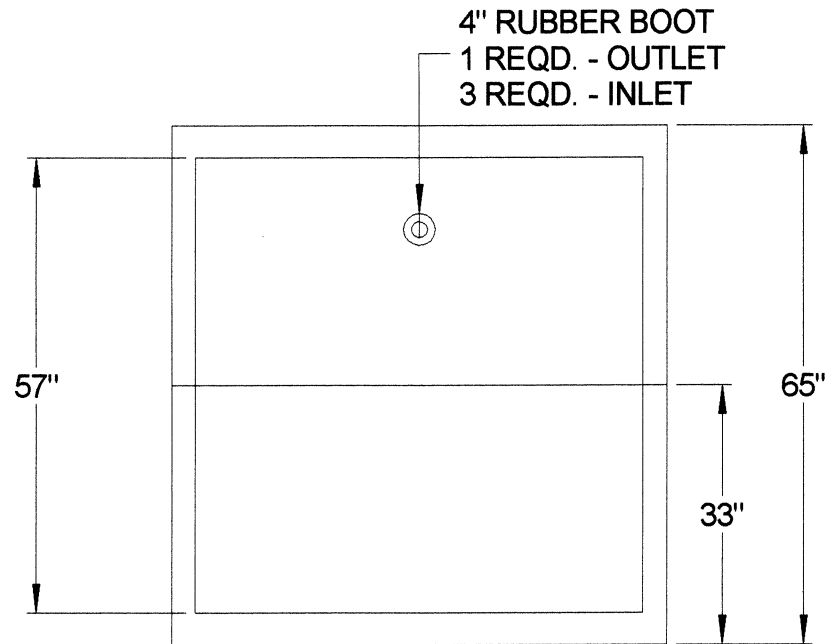


**1000 GALLON SEPTIC TANK**

NOT TO SCALE



$(90 \times 55.75) + 144 \times 7.48 \times .083 = 21.63 \text{ GAL/INCH}$



**MILAN VAULT, INC.**

10475 N. ANN ARBOR ROAD  
MILAN, MICHIGAN 48160  
(734) 439-1538  
(734) 439-8311 (FAX)  
[HTTP://WWW.MILANVAULT.COM](http://WWW.MILANVAULT.COM)