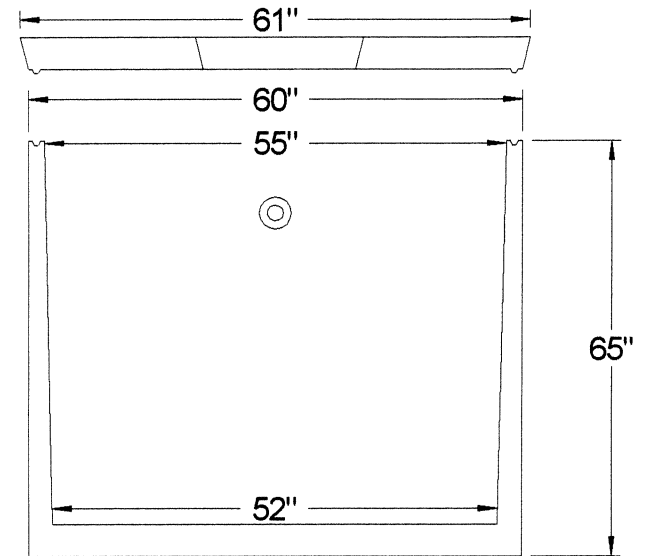
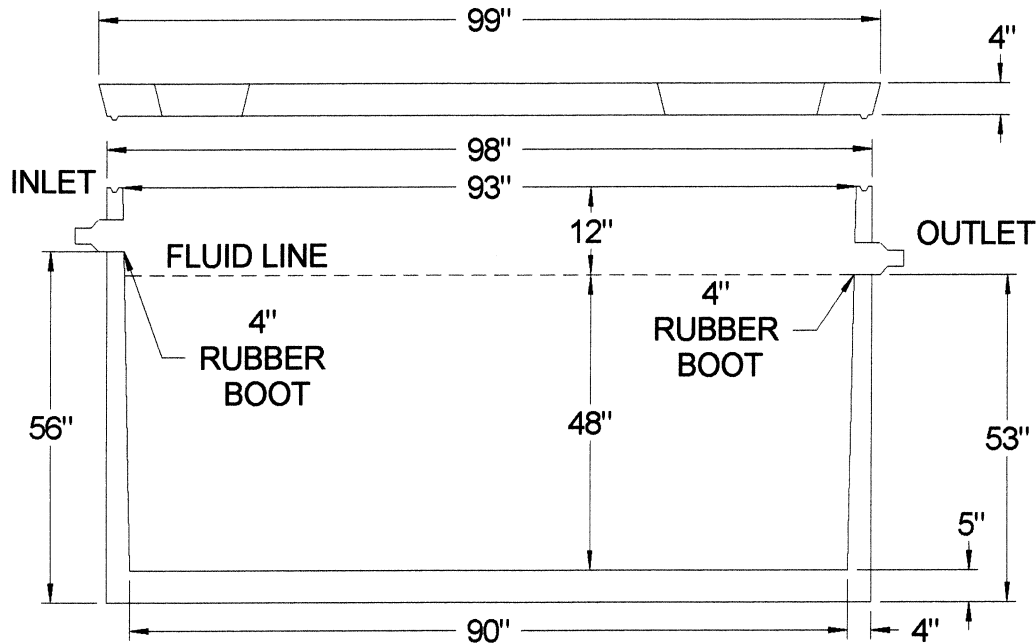
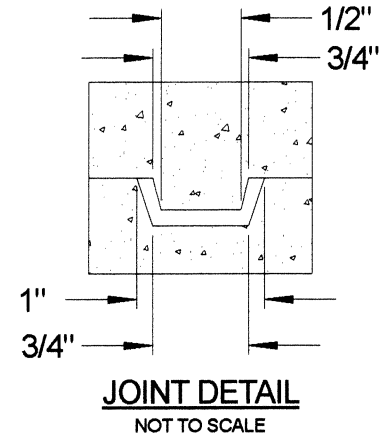
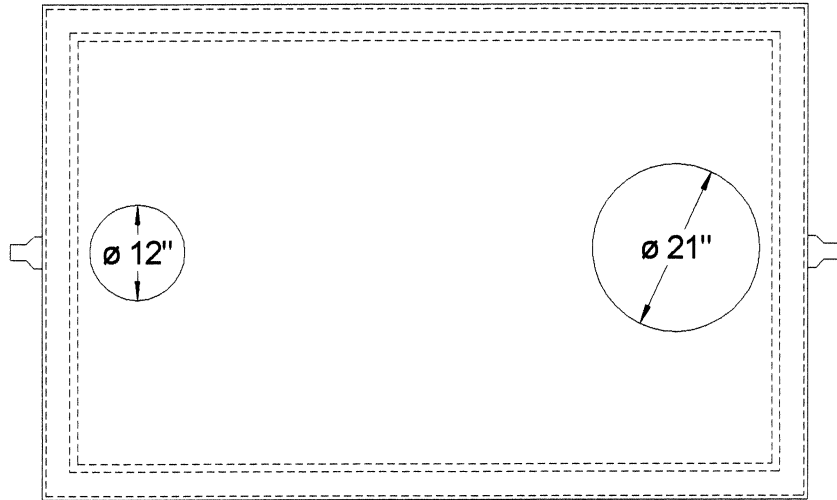


**1000 GALLON TOP JOINT TANK**

NOT TO SCALE



$(91.5 \times 53.5) + 144 \times 7.48 \times .083 = 21.11 \text{ GAL/INCH}$

10475 N. ANN ARBOR ROAD  
 MILAN, MICHIGAN 48160  
 (734) 439-1538  
 (734) 439-8311 (FAX)  
 HTTP: // WWW.MILANVAULT.COM

**MILAN VAULT, INC.**