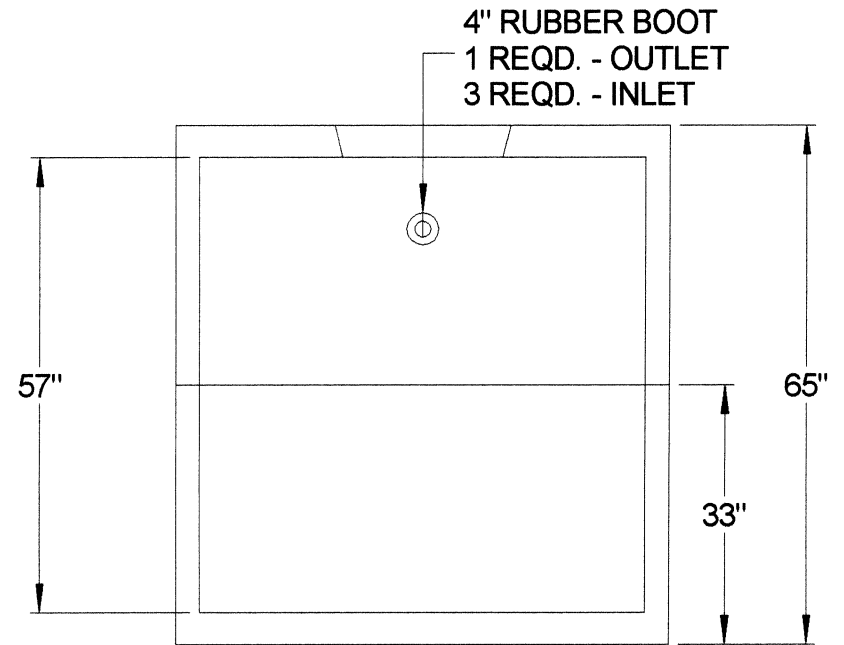
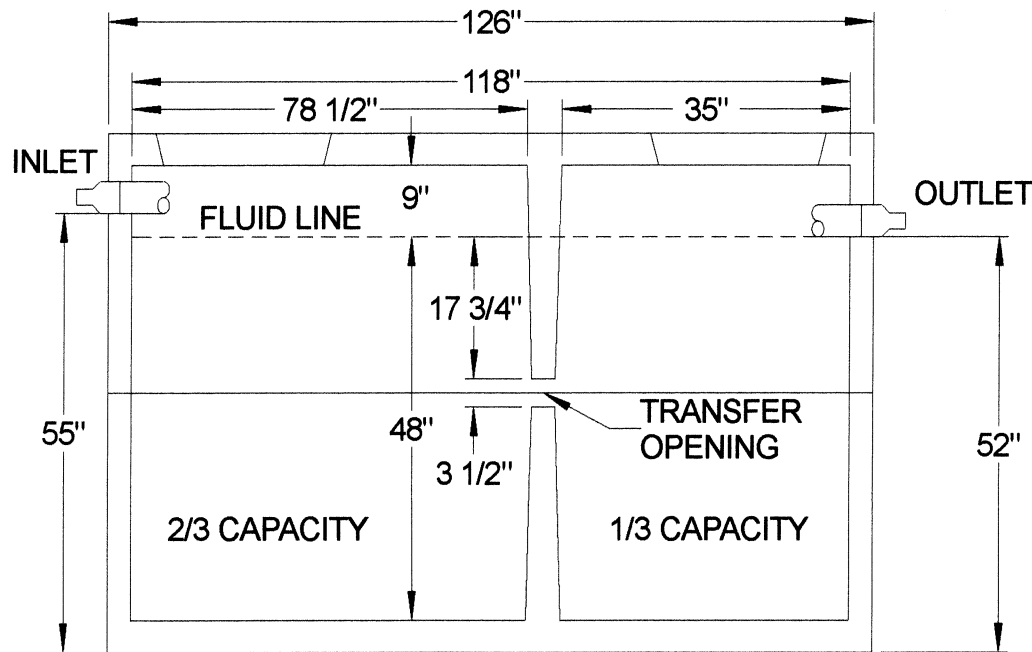
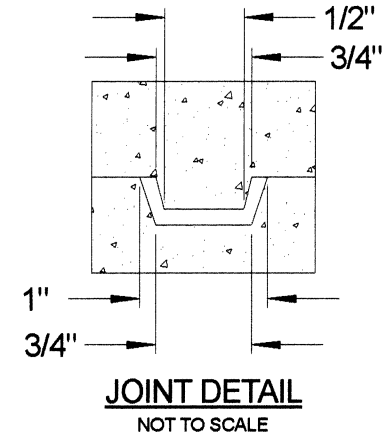
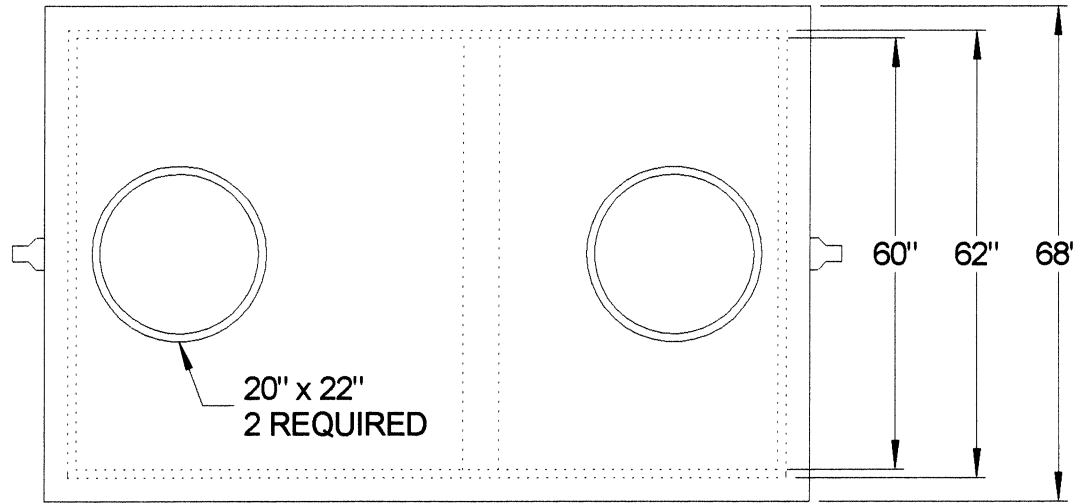


1500 GALLON TWO COMPARTMENT SEPTIC TANK FOR EFFLUENT FILTER

NOT TO SCALE



$(116 \times 61) + 144 \times 7.48 \times .083 = 30.50 \text{ GAL/INCH}$

10475 N. ANN ARBOR ROAD
 MILAN, MICHIGAN 48160
 (734) 439-1538
 (734) 439-8311 (FAX)
 HTTP: // WWW.MILANVAULT.COM

MILAN VAULT, INC.