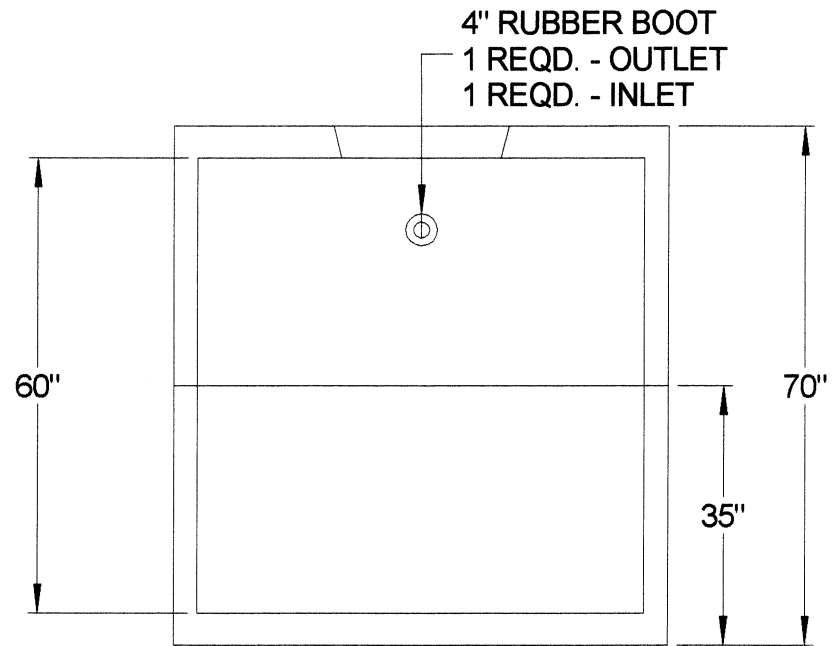
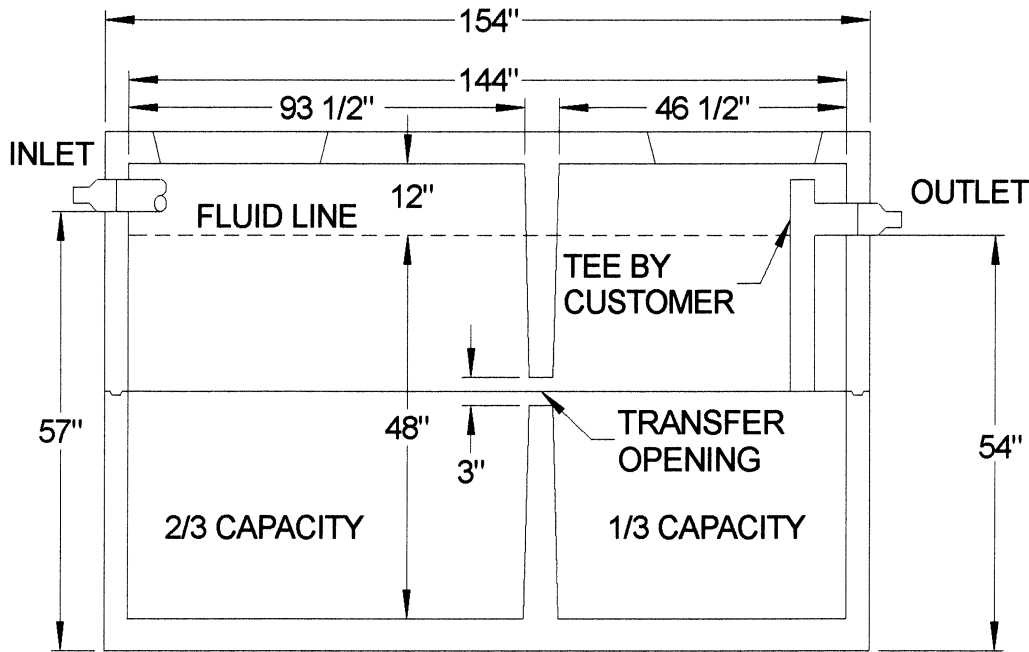
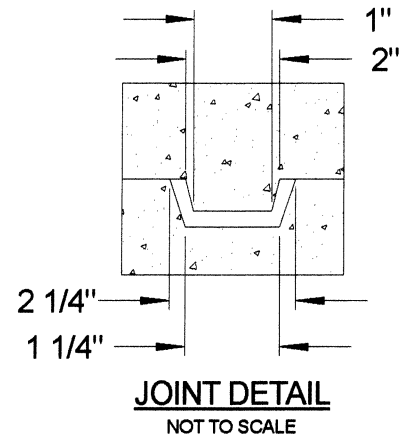
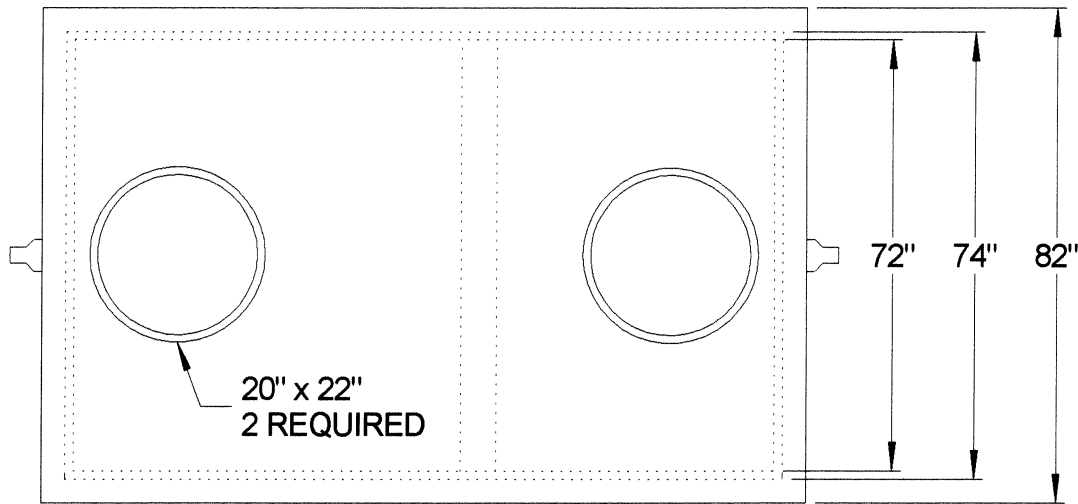


**2000 GALLON TWO COMPARTMENT HEAVY WALL SEPTIC TANK**

NOT TO SCALE



$(142 \times 73) + 144 \times 7.48 \times .083 = 44.69 \text{ GAL/INCH}$

**MILAN VAULT, INC.**

10475 N. ANN ARBOR ROAD  
MILAN, MICHIGAN 48160  
(734) 439-1538  
(734) 439-8311 (FAX)  
HTTP: // WWW.MILANVAULT.COM