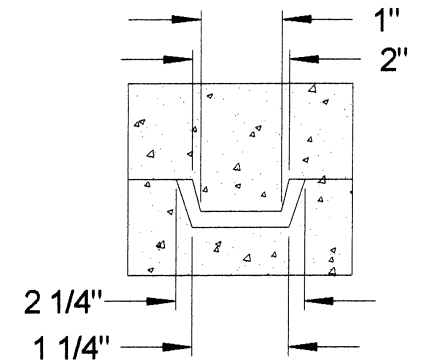
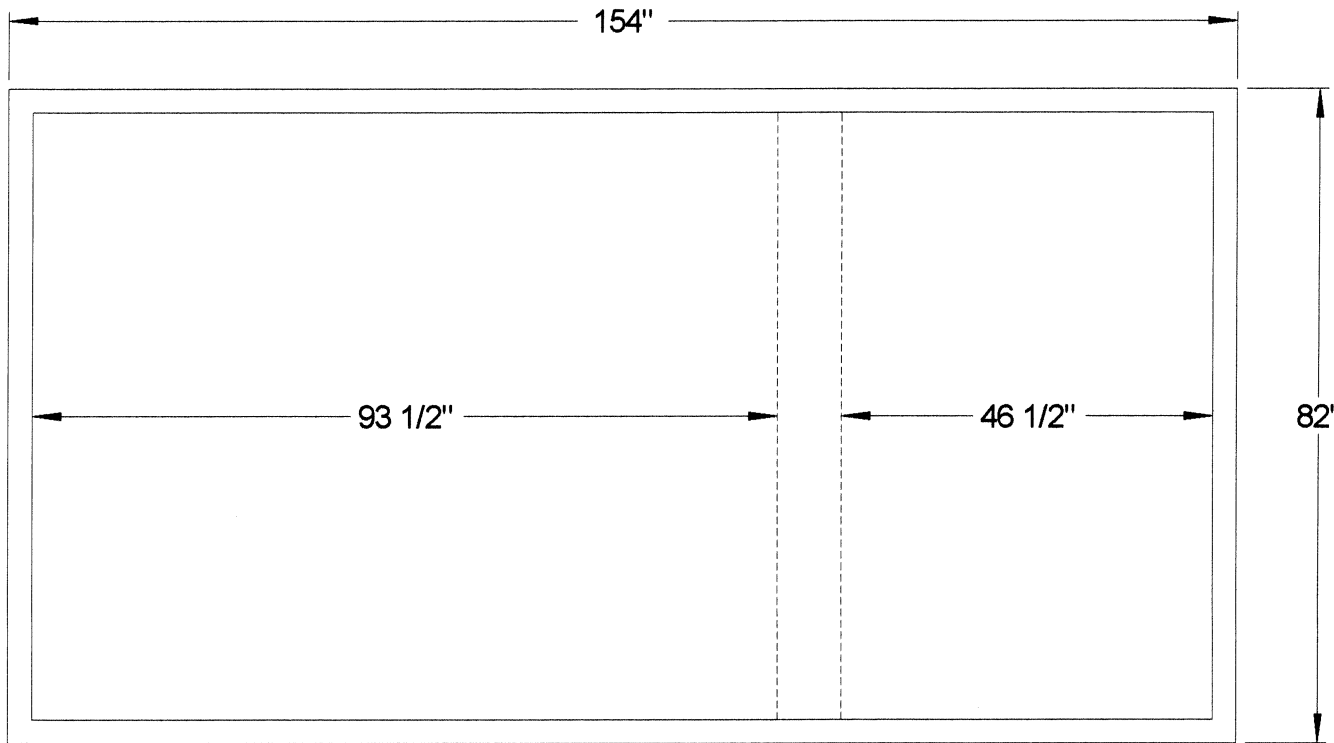


RING CASTING FOR 2000 GALLON TWO COMPARTMENT HEAVY WALL SEPTIC TANK

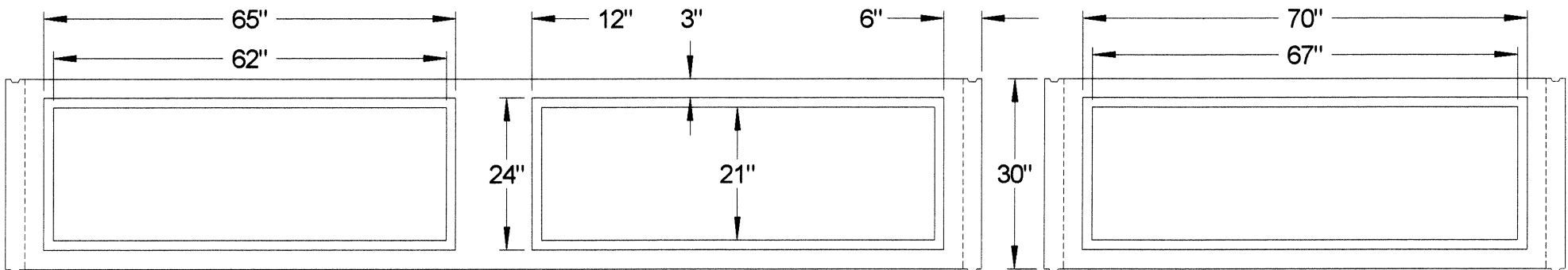
NOT TO SCALE



JOINT DETAIL

NOT TO SCALE

RING CASTING MAY BE INSERTED BETWEEN TOP & BOTTOM CASTING TO INCREASE CAPACITY. EACH RING CASTING = 1350 GALLONS.



**MILAN VAULT, INC.**

10475 N. ANN ARBOR ROAD  
MILAN, MICHIGAN 48160  
(734) 439-1538  
(734) 439-8311 (FAX)  
HTTP: // WWW.MILANVAULT.COM