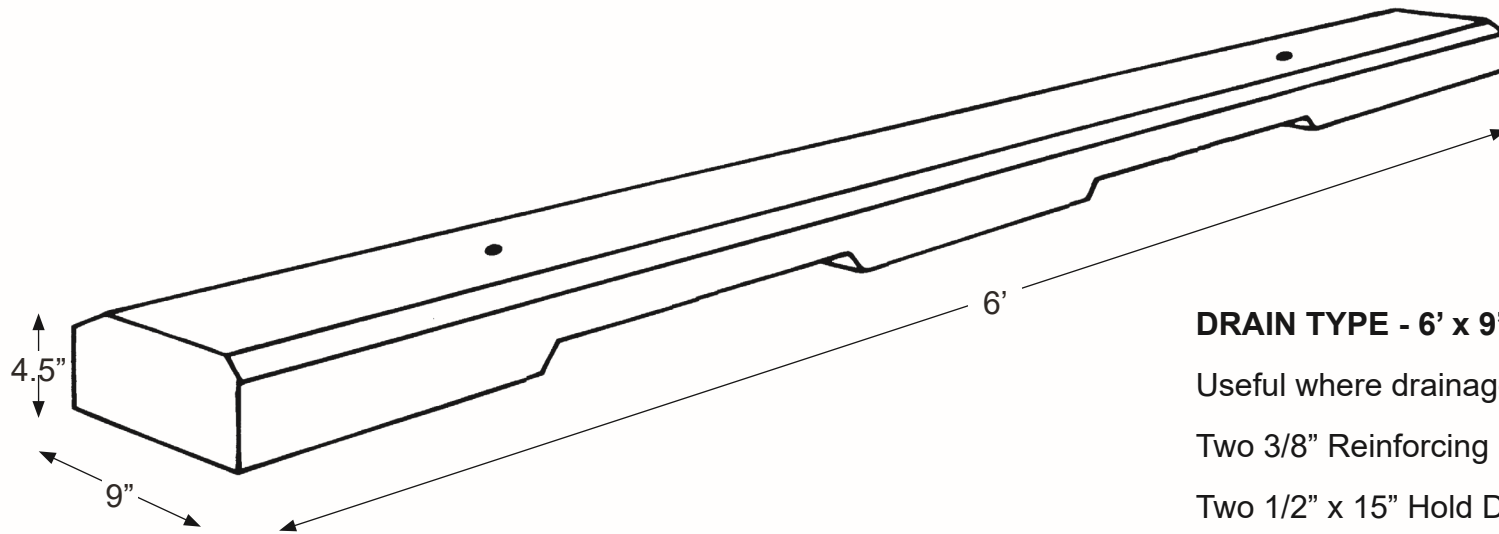


## Milan Vault

### 6' Drain Parking Bumper

Air Entrained Minimum  
4,000 PSI Concrete  
Steel #3 Rebar  
Reinforced



**DRAIN TYPE - 6' x 9" W x 4.5"H**

Useful where drainage is an issue

Two 3/8" Reinforcing Rods

Two 1/2" x 15" Hold Down Pins

Weight 195 lbs.

# MILAN VAULT

10475 N Ann Arbor Rd Milan, MI 48160

Phone: 734-439-1538 Fax: 734-439-8311

<https://www.milanvault.com/>