

Milan Vault

7' Solid

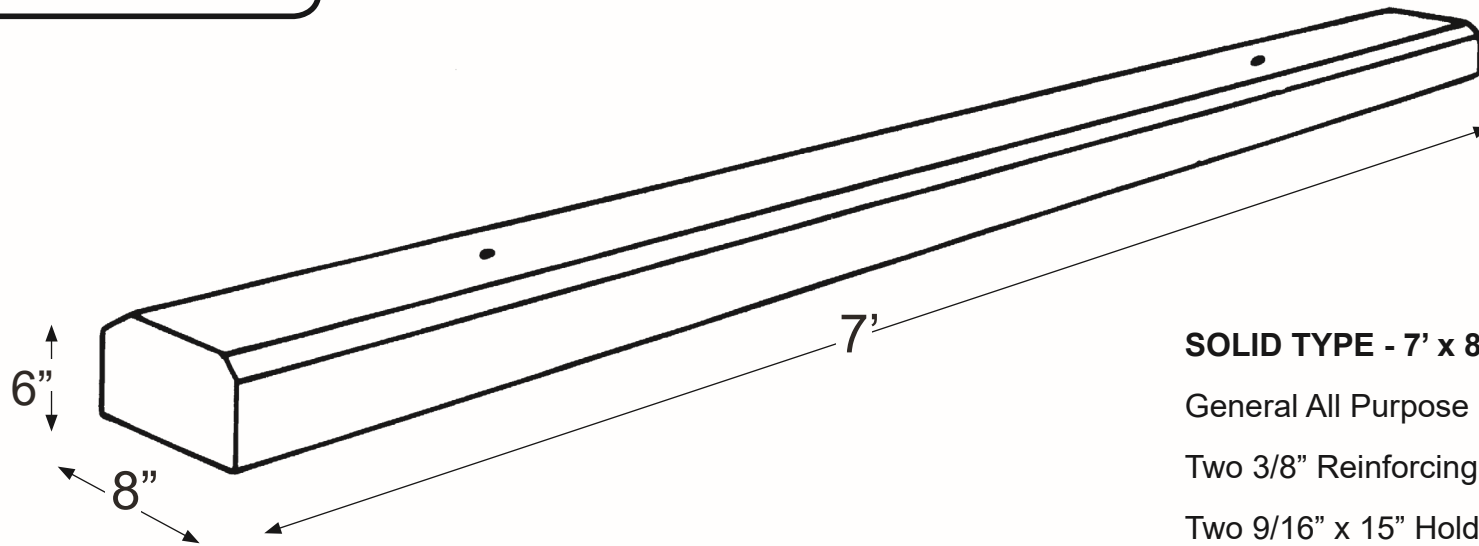
Parking Bumper

Air Entrained Minimum

4,000 PSI Concrete

Steel #3 Rebar

Reinforced



SOLID TYPE - 7' x 8" W x 6"H

General All Purpose Bumper

Two 3/8" Reinforcing Rods

Two 9/16" x 15" Hold Down Pins

Weight 285 lbs.

MILAN VAULT

10475 N Ann Arbor Rd Milan, MI 48160

Phone: 734-439-1538 Fax: 734-439-8311

<https://www.milanvault.com/>