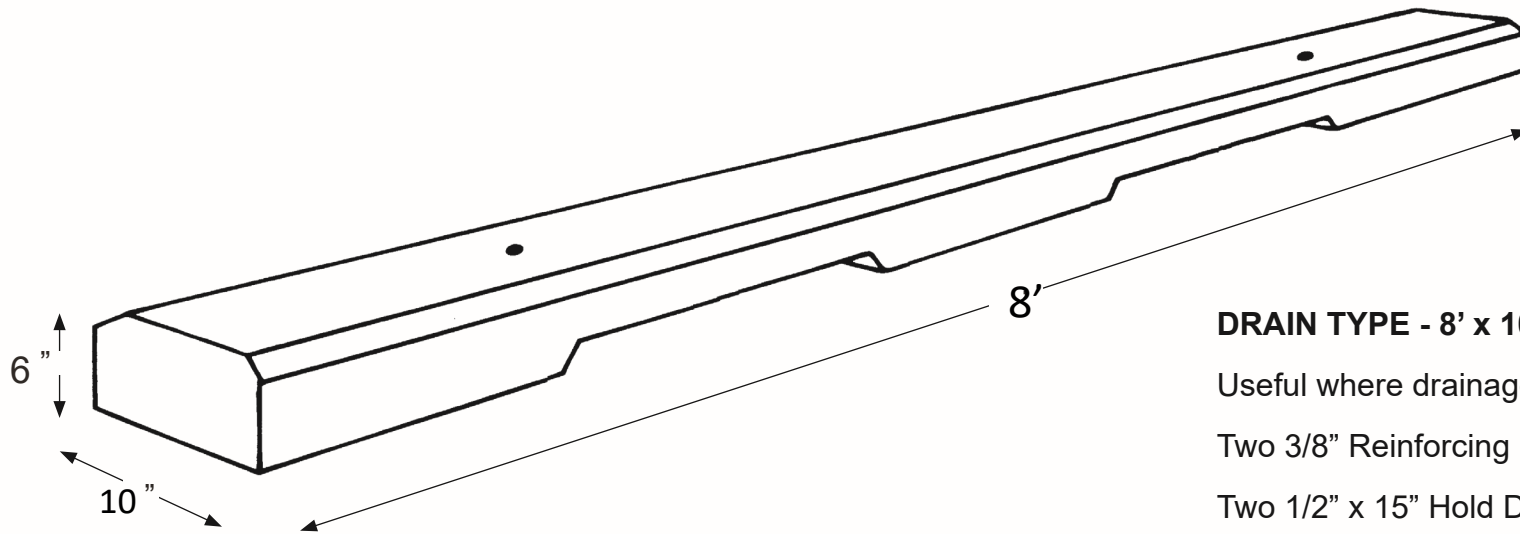


Milan Vault

8' Drain Parking Bumper

Air Entrained Minimum
4,000 PSI Concrete
Steel #3 Rebar
Reinforced



DRAIN TYPE - 8' x 10" W x 6"H

Useful where drainage is an issue

Two 3/8" Reinforcing Rods

Two 1/2" x 15" Hold Down Pins

Weight 325 lbs.

MILAN VAULT

10475 N Ann Arbor Rd Milan, MI 48160

Phone: 734-439-1538 Fax: 734-439-8311

<https://www.milanvault.com/>